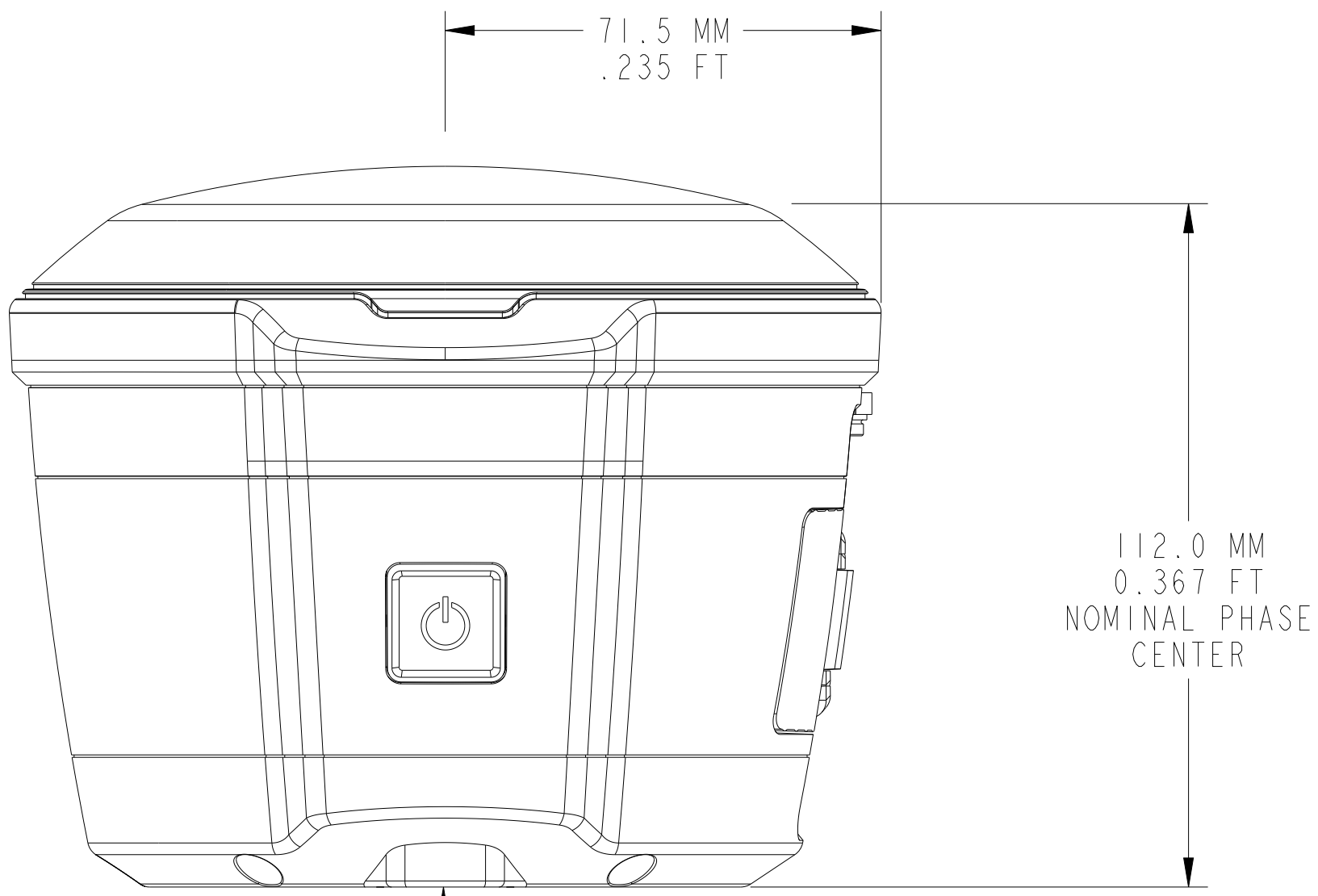


REV	DESCRIPTION	DATE	APPROVED
A	RELEASE	02/05/16	S.ROBINSON



REFERENCE SURFACE
FOR NGS OFFSET
MEASUREMENTS

ANTENNA REFERENCE SURFACE DIAGRAM
NOMINAL PHASE CENTER IS THE REFERENCE SURFACE
FOR TRIMBLE PHASE CENTER CORRECTION TABLES.

MATERIAL	UNLESS OTHERWISE SPECIFIED DIMENSIONS ARE IN INCHES TOLERANCES ARE: DECIMALS ANGLES .X ± .030 .XX ± .010 ± .50° .XXX ± .005	APPROVALS	DATE	 Trimble Navigation Limited Proprietary & Confidential	TITLE		
		APPROVED BY			R2 ANTENNA (101000-XX) ANTENNA PHASE CENTER		
FINISH		ENGINEERED BY			SIZE	DWG NO.	REV
SEE NOTES		DRAWN BY			B	101000-XX-APC	A
DO NOT SCALE DRAWING		CHECKED BY			SCALE	1.000	SHEET 1 OF 1